

CASE STYLES

OUTLINE DIMENSIONS (inch/mm)

case no.	A	B	C	D	E	F	G	H	J	K	L	M	N	P	Q	R	S	T	wt. grams.	NOTES*
DB714	.160 4.06	.150 3.81	.160 4.06	.050 1.27	.040 1.02	.025 .064	.028 .71	.065 1.65	.190 4.83	.030 0.76									.15	A13, F47
DC736	—	.61 15.49	—	1.90 48.26	.812 20.64														49.7	A38, D29
DC737	—	.61 15.49	—	1.20 30.48	.312 7.94														9.1	A38, D13
DD52	2.00 50.80	2.00 50.80	.75 19.05	.90 22.86	.156 3.96	1.688 42.88	.125 3.18	3.92 9.96	1.00 25.40	.50 12.70	1.00 25.40	1.25 31.75							225.0	A10, D11
DD477	2.00 50.80	2.00 50.80	.75 19.05	.90 22.86	.156 3.96	1.688 42.88	.125 3.18	3.92 9.96	—	.50 12.70	1.00 25.40	1.25 31.75							225.0	A10, D17
DD749	8.50 215.90	4.00 101.60	.50 12.70	.170 4.32	8.160 207.26	1.70 43.18	.150 3.81	8.200 208.28	.190 4.83	4.25 107.95	.50 12.70	2.50 63.50	4.50 114.30	6.50 165.10	1.50 38.10	.201 5.11			400.0	A4, D6
DF782	.102 2.59	.090 2.29	.181 4.60	.173 4.39	.063 1.60	.167 4.24	.155 3.94	.059 1.50	.118 3.00	.015 0.38	.041 1.04	.016 0.41	.019 0.48	.065 1.65					.2	A13

tolerance .x±.1 .xx±.03 .xxx±.015 inch

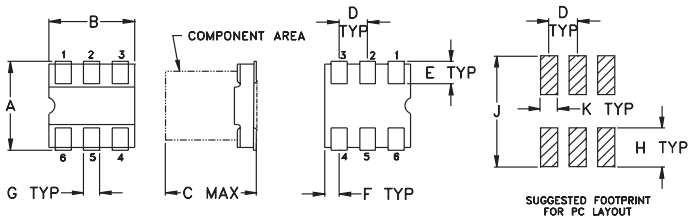
oz. = grams x.0353

* NOTES:

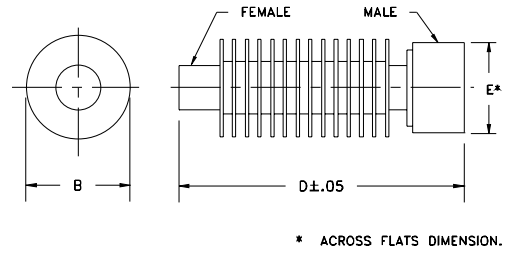
- A. MATERIAL AND FINISH
 A4. Case material: aluminum alloy. Finish: irridite per MIL-C-5541
 A10. Case material: aluminum alloy. Finish: grey paint or yellow irraite
 A13. Case material: plastic. Lead Finish: tin-lead plate.
 A38. Case material: aluminum alloy. Finish: Black anodize.
- D. CONNECTORS
 D6. Connectors: female SMA only. Male SMA available on request, consult factory.
 D13. Connectors: Male SMA, Female SMA only.
 D17. Connectors: Female SMA only.
 D29. Connectors: Male N, female N only.
- F. PACKAGING
 F1-47. Tape and reel packaging available. See Tape and Reel Packaging Information for details. To order Tape & Reel version add -TR suffix to model.

OUTLINE DRAWINGS

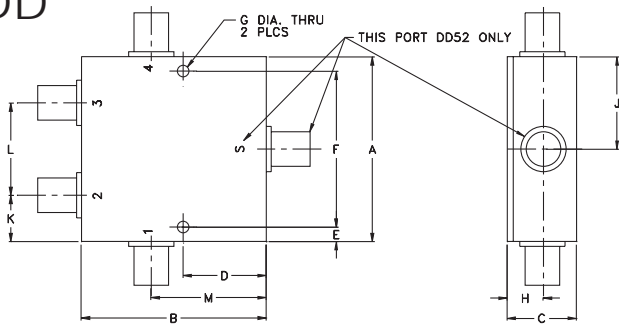
DB



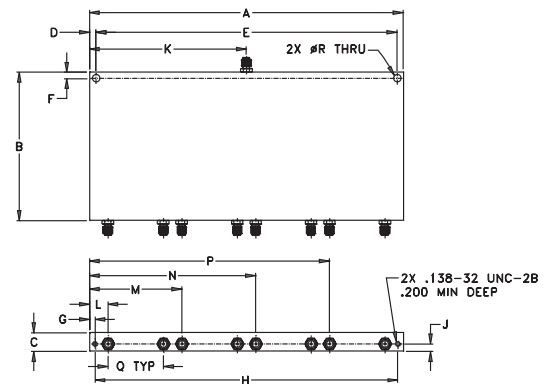
DC



DD



DE



DF

